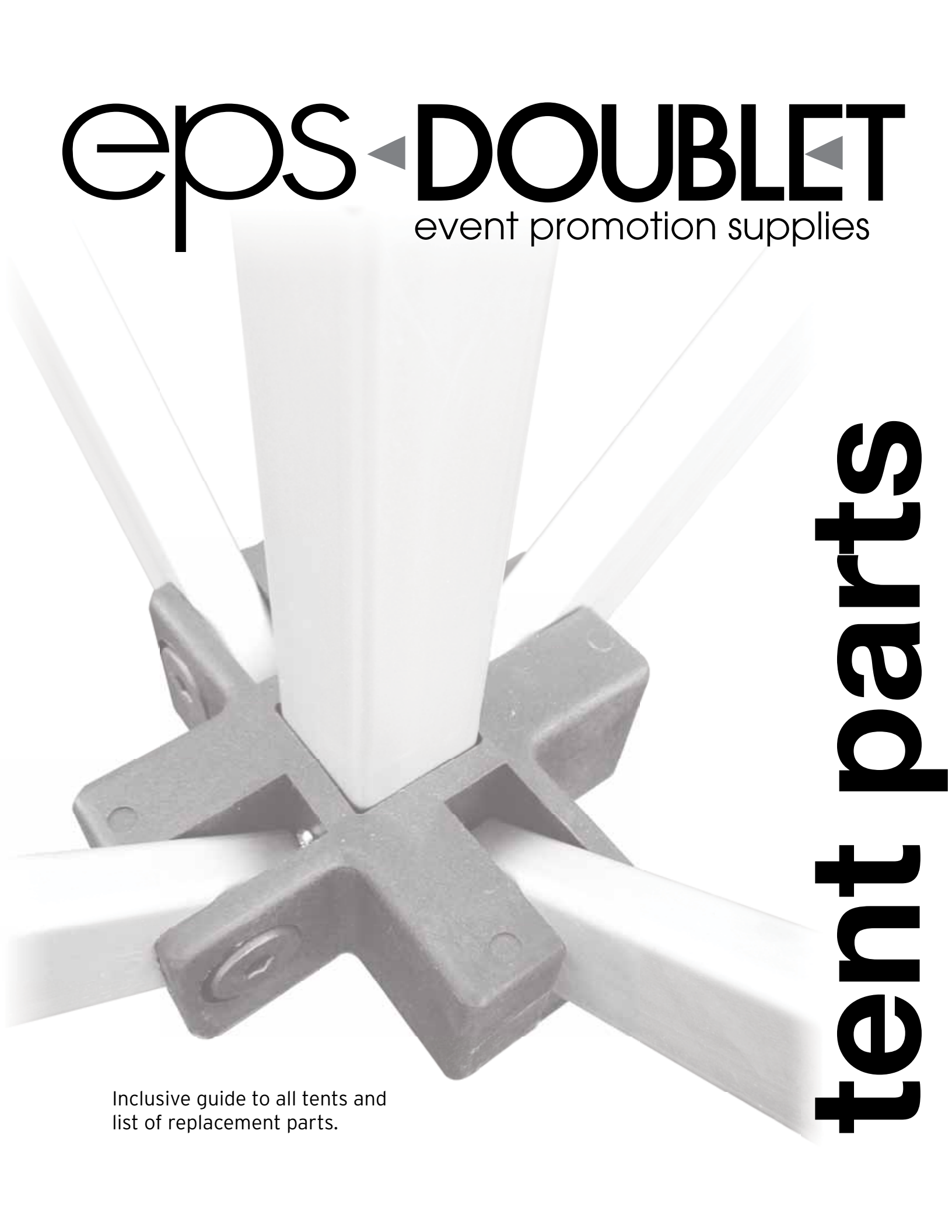


eps ◀ DOUBLET ▶

event promotion supplies

tent parts

Inclusive guide to all tents and list of replacement parts.



Tent Differentiation and Specifications..... 1

Commercial Tent Frames

5'x5' 2

8'x8' 4

10'x10' 6

10'x15' 8

10'x20' 10

Program Tents

10'x10' 13

10'x15' 15

10'x20' 17

Norstar

5'x5', 8'x8', 10'x20' 19

Hex Tents

10' 22

Half Walls

Commercial/Program..... 24

Hex..... 26

Order Form 28

Questions to ask :

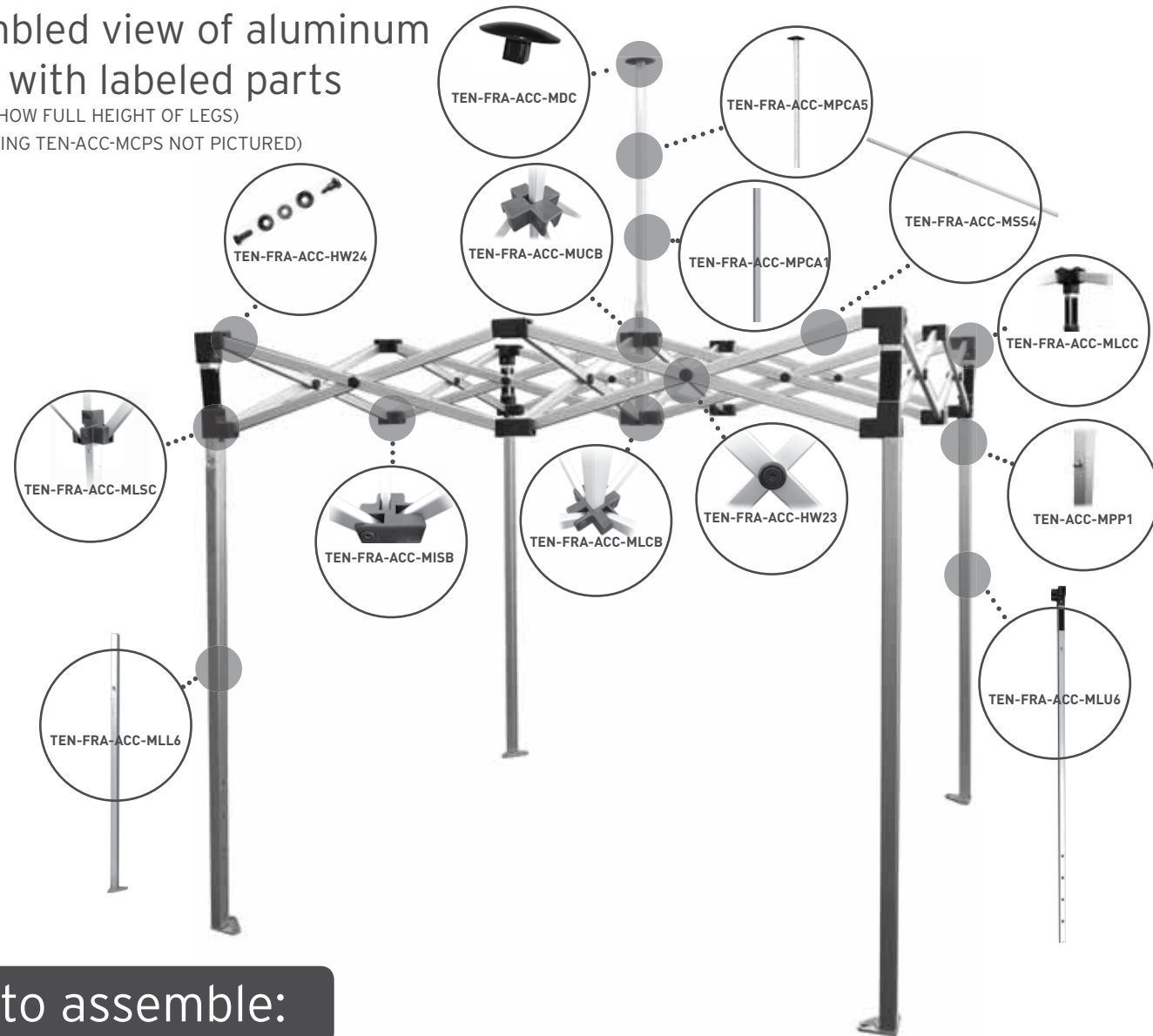
- Does the tent have black or silver feet?
- Does the tent have push or pull parts?
- What color are the corner fittings?

<p>Commercial Tent :</p> <p>Characteristics : Silver metal feet Push parts Black plastic corner fittings Lighter weight frame</p>	<p>Commercial Tent Sizes : 10' x 10' 10' x 15' 10' x 20'</p>
<p>Program Tent :</p> <p>Characteristics : Silver metal feet Pull parts Silver with black plastic corner fittings</p>	<p>Program Tent Sizes : 10' x 10' 10' x 15' 10' x 20'</p>
<p>Norstar Tent :</p> <p>Characteristics : Black plastic feet Pull parts Black plastic corner fittings Dial on pole</p>	<p>Norstar Tent Sizes : 5' x 5' 8' x 8' 10' x 10' 10' x 15' 10' x 20'</p>
<p>Hex Tent :</p> <p>Characteristics : Push Parts Black plastic joint components</p>	<p>Hex Tent Sizes : 10'</p>

5'x5' Commercial Tent Frame

Assembled view of aluminum frame with labeled parts

(DOES NOT SHOW FULL HEIGHT OF LEGS)
(CENTER SPRING TEN-ACC-MCPS NOT PICTURED)



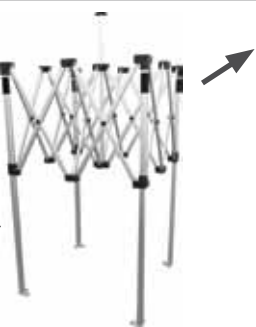
How to assemble:

1.



Remove tent from carry bag

2.



Pull frame apart from corners

3.



Raise frame & legs to set position

5'x5' Commercial Tent Frame Parts List

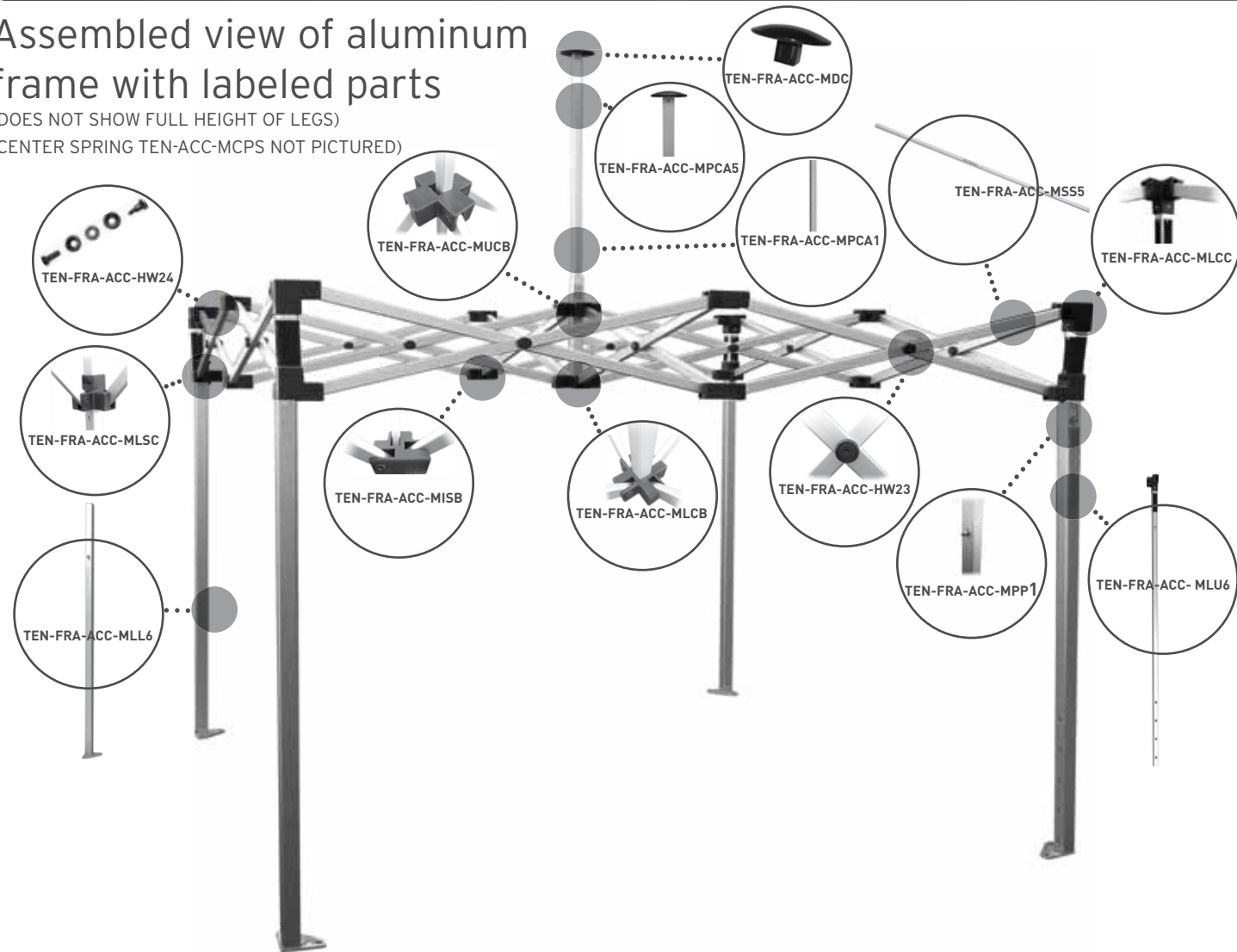
Part # & Description	Part	View of Part on Tent Frame
TEN-FRA-ACC-HW23 Center scissor bolt assembly 12 per tent		 HW23
TEN-FRA-ACC-HW24 End scissor bar bolt 48 per tent		 HW24
TEN-FRA-ACC-MCPS Center pole spring 1 per tent		 (INSIDE CENTER POLE)
TEN-FRA-ACC-MDC Center pole dome cap 1 per tent		 MDC
TEN-FRA-ACC-MISB Scissor block, intermediate 8 per tent		 MISB
TEN-FRA-ACC-MLCB Lower center block 1 per tent		 MLCB
TEN-FRA-ACC-MLCC Corner leg cap 4 per tent		 MLCC
TEN-FRA-ACC-MLL6 Lower leg 4 per tent		 MLL6

Part # & Description	Part	View of Part on Tent Frame
TEN-FRA-ACC-MLSC Leg socket 4 per tent		 MLSC
TEN-FRA-ACC-MLU6 Upper leg with cap 4 per tent		 MLU6
TEN-FRA-ACC-MPCA1 Upper center pole & cap 1 per tent		 MPCA1
TEN-FRA-ACC-MPCA5 Upper center pole & cap 1 per tent		 MPCA5
TEN-FRA-ACC-MPPI Push pin 8 per tent		 MPPI
TEN-FRA-ACC-MSS4 2.5' scissor bar 24 per tent		 MSS4
TEN-FRA-ACC-MUCB Upper center block 1 per tent		 MUCB

8'x8' Commercial Tent Frame

Assembled view of aluminum frame with labeled parts

(DOES NOT SHOW FULL HEIGHT OF LEGS)
(CENTER SPRING TEN-ACC-MCPS NOT PICTURED)



How to assemble:

1.



Remove tent from carry bag

2.



Pull frame apart from corners

3.



Raise frame & legs to set position

8'x8' Commercial Tent Frame Parts List

Part # & Description	Part	View of Part on Tent Frame
TEN-FRA-ACC-HW23 Center scissor bolt assembly 12 per tent		
TEN-FRA-ACC-HW24 End scissor bar bolt 48 per tent		
TEN-FRA-ACC-MCPS Center pole spring 1 per tent		
TEN-FRA-ACC-MDC Center pole dome cap 1 per tent		
TEN-FRA-ACC-MISB Scissor block, intermediate 8 per tent		
TEN-FRA-ACC-MLCB Lower center block 1 per tent		
TEN-FRA-ACC-MLCC Corner leg cap 4 per tent		
TEN-FRA-ACC-MLL6 Lower leg 4 per tent		

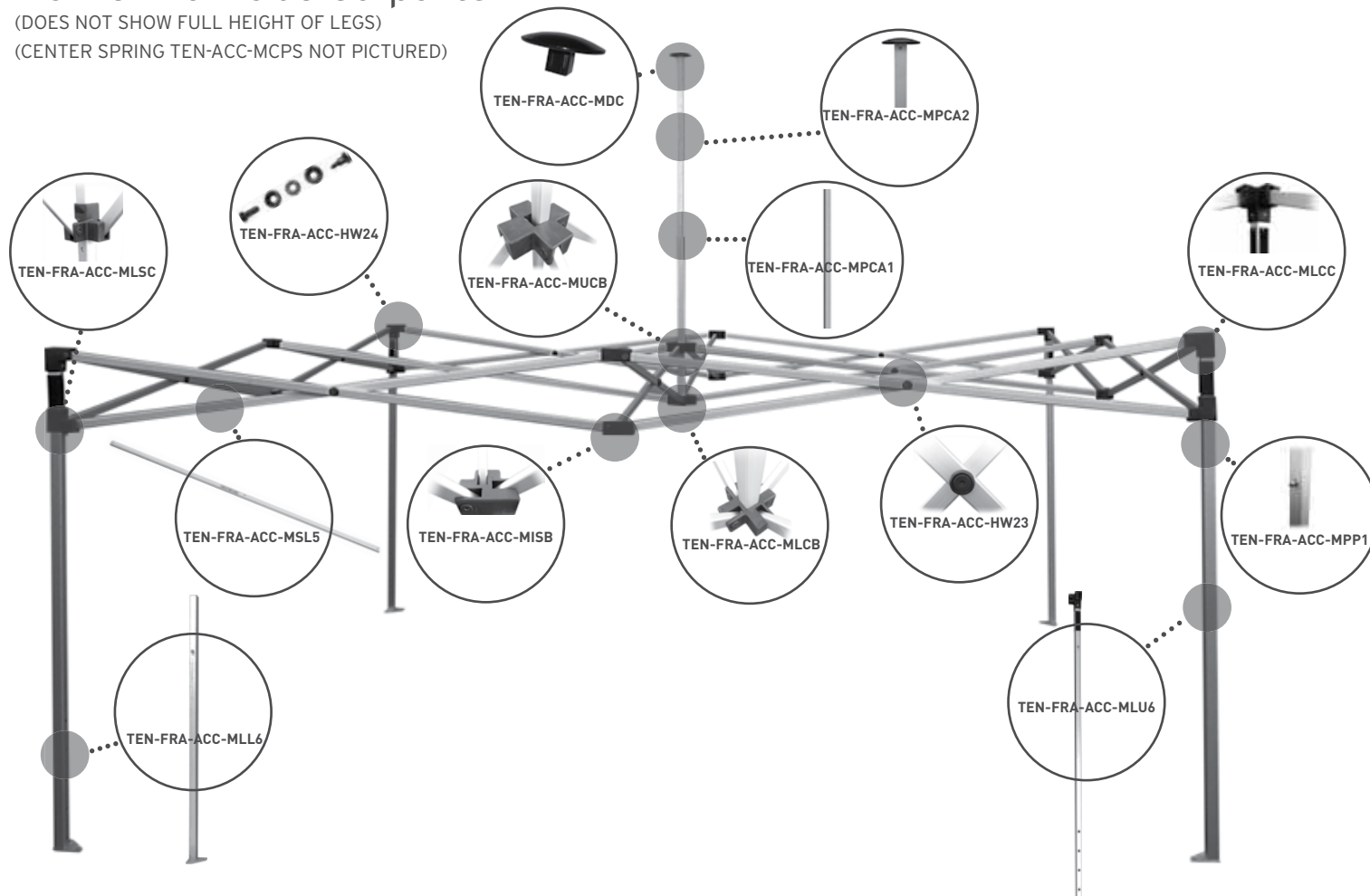
Part # & Description	Part	View of Part on Tent Frame
TEN-FRA-ACC-MLSC Leg socket 4 per tent		
TEN-FRA-ACC-MLU6 Upper leg with cap 4 per tent		
TEN-FRA-ACC-MPCA1 Lower center pole & cap 1 per tent		
TEN-FRA-ACC-MPCA5 Upper center pole & cap 1 per tent		
TEN-FRA-ACC-MPPI Push pin 8 per tent		
TEN-FRA-ACC-MSS5 4' scissor bar 24 per tent		
TEN-FRA-ACC-MUCB Upper center block 1 per tent		

10'x10' Commercial Tent Frame

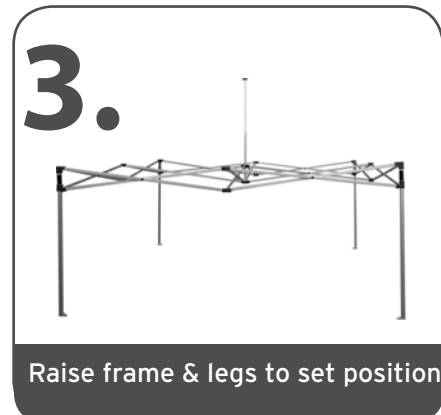
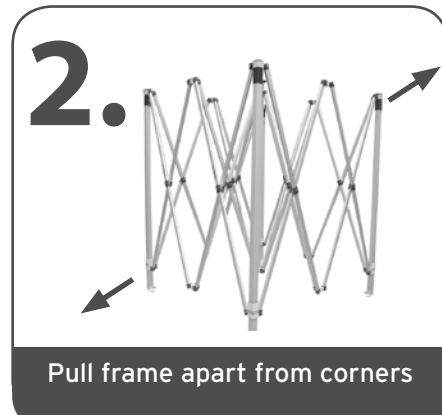
10'x10' Commercial Tent Frame Parts List

Assembled view of aluminum frame with labeled parts

(DOES NOT SHOW FULL HEIGHT OF LEGS)
(CENTER SPRING TEN-ACC-MCPS NOT PICTURED)



How to assemble:



Part # & Description	Part	View of Part on Tent Frame
TEN-FRA-ACC-HW23 Center scissor bolt assembly 12 per tent		
TEN-FRA-ACC-HW24 End scissor bar bolt 48 per tent		
TEN-FRA-ACC-MDC Center pole dome cap 1 per tent		
TEN-FRA-ACC-MCPS Center pole spring 1 per tent		(INSIDE CENTER POLE)
TEN-FRA-ACC-MISB Scissor block, intermediate 8 per tent		
TEN-FRA-ACC-MLCB Lower center block 1 per tent		
TEN-FRA-ACC-MLCC Corner leg cap 4 per tent		
TEN-FRA-ACC-MLL6 Lower leg 4 per tent		

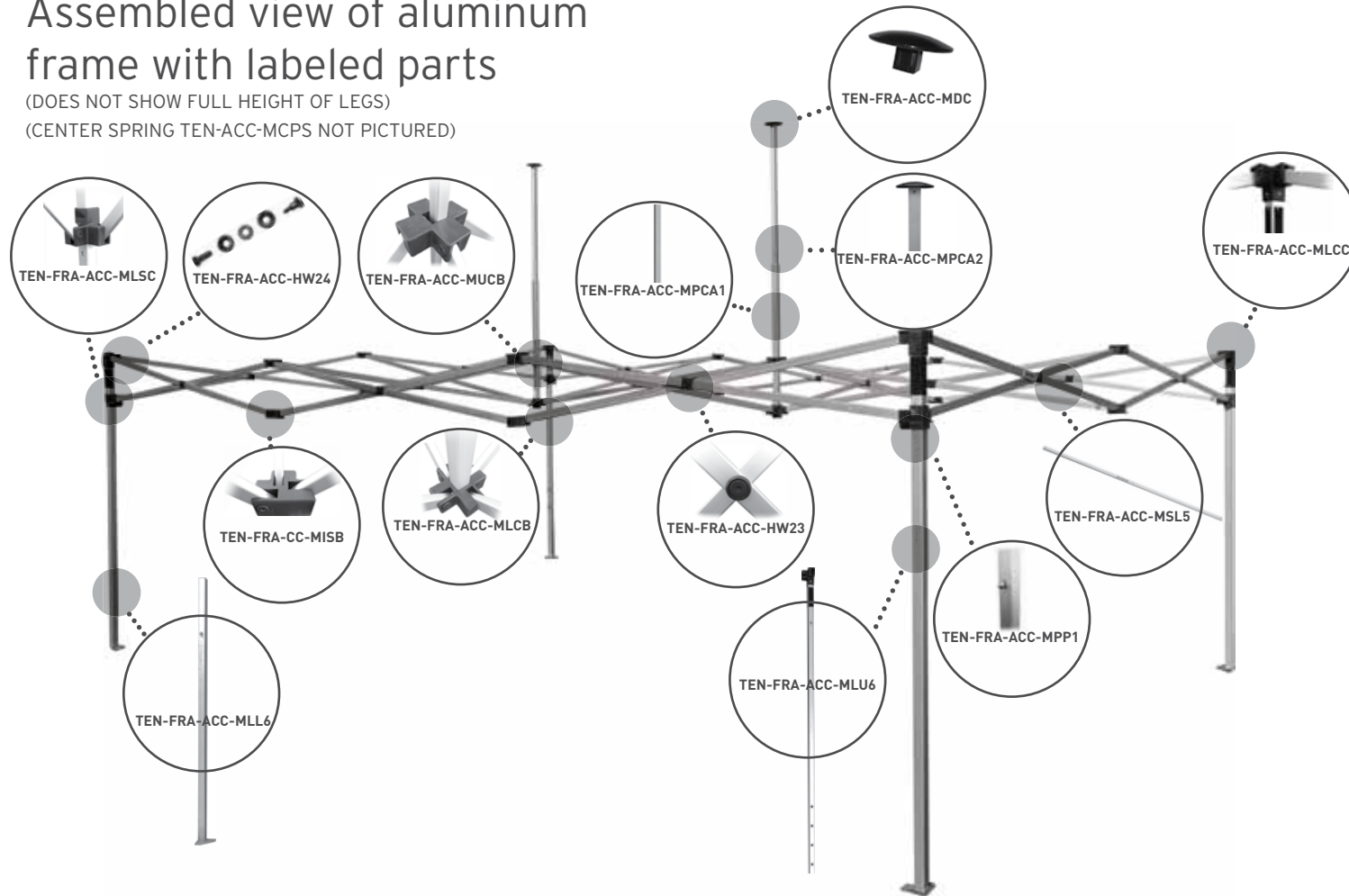
Part # & Description	Part	View of Part on Tent Frame
TEN-FRA-ACC-MLSC Leg socket 4 per tent		
TEN-FRA-ACC-MLU6 Upper leg with cap 4 per tent		
TEN-FRA-ACC-MPCA1 Lower center pole 1 per tent		
TEN-FRA-ACC-MPCA2 Upper center pole with cap 1 per tent		
TEN-FRA-ACC-MPPI Push pin 8 per tent		
TEN-FRA-ACC-MSL5 5' scissor bar 24 per tent		
TEN-FRA-ACC-MUCB Upper center block 1 per tent		

10'x15' Commercial Tent Frame

10'x15' Commercial Tent Frame Parts List

Assembled view of aluminum frame with labeled parts

(DOES NOT SHOW FULL HEIGHT OF LEGS)
(CENTER SPRING TEN-ACC-MCPS NOT PICTURED)



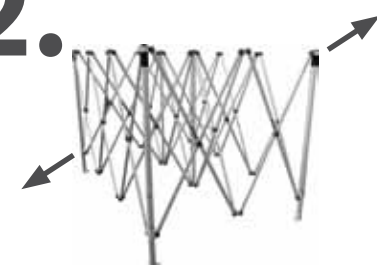
How to assemble:

1.



Remove tent from carry bag

2.



Pull frame apart from corners

3.



Raise frame & legs to set position

Part # & Description	Part	View of Part on Tent Frame
TEN-FRA-ACC-HW23 Center scissor bolt assembly 12 per tent		
TEN-FRA-ACC-HW24 End scissor bar bolt 68 per tent		
TEN-FRA-ACC-MCPS Center pole spring 1 per tent		
TEN-FRA-ACC-MDC Center pole dome cap 2 per tent		
TEN-FRA-ACC-MISB Scissor block, intermediate 4 per tent		
TEN-FRA-ACC-MLCB Lower center block 2 per tent		
TEN-FRA-ACC-MLCC Corner leg cap 4 per tent		
TEN-FRA-ACC-MLL6 Lower leg 6 per tent		

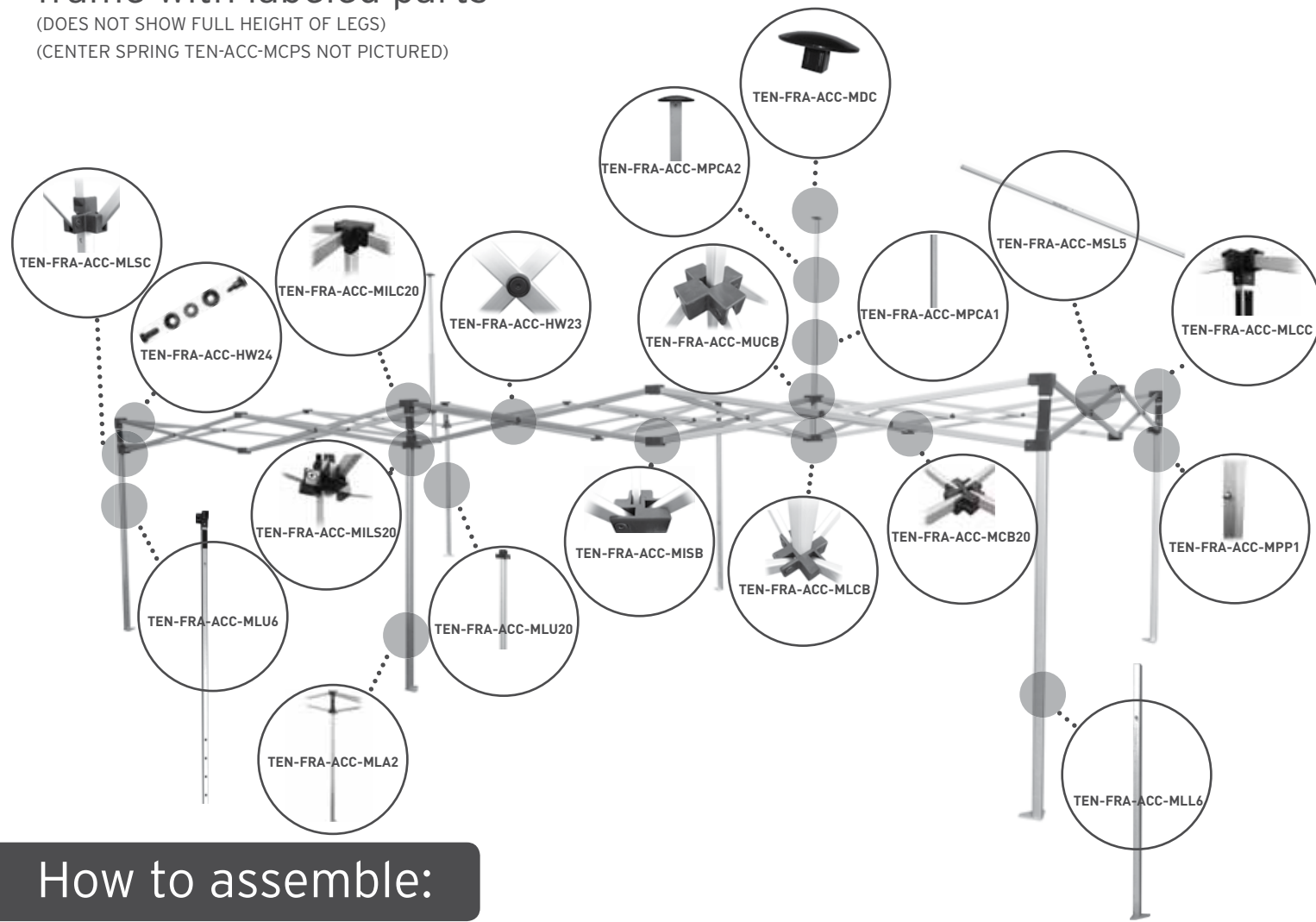
Part # & Description	Part	View of Part on Tent Frame
TEN-FRA-ACC-MLSC Corner leg slider 4 per tent		
TEN-FRA-ACC-MLU6 Upper leg with cap 4 per tent		
TEN-FRA-ACC-MPCA1 Lower center pole 2 per tent		
TEN-FRA-ACC-MPCA2 Upper center pole with cap 2 per tent		
TEN-FRA-ACC-MPPI Push pin 8 per tent		
TEN-FRA-ACC-MSL5 5' scissor bar 38 per tent		
TEN-FRA-ACC-MUCB Upper center block 2 per tent		

10'x20' Commercial Tent Frame

10'x20' Commercial Tent Frame Parts List

Assembled view of aluminum frame with labeled parts

(DOES NOT SHOW FULL HEIGHT OF LEGS)
(CENTER SPRING TEN-ACC-MCPS NOT PICTURED)



How to assemble:

1.



Remove tent from carry bag

2.



Pull frame apart from corners

3.



Raise frame & legs to set position

Part # & Description	Part	View of Part on Tent Frame
TEN-FRA-ACC-HW23 Center scissor bolt assembly 22 per tent		
TEN-FRA-ACC-HW24 End scissor bar bolt 88 per tent		
TEN-FRA-ACC-MCB20 Center scissor block 2 per tent		
TEN-FRA-ACC-MCPS Center pole spring 2 per tent		(INSIDE CENTER POLE)
TEN-FRA-ACC-MDC Center cap 2 per tent		
TEN-FRA-ACC-MILC20 Center leg cap 2 per tent		
TEN-FRA-ACC-MILS20 Center leg socket 2 per tent		
TEN-FRA-ACC-MISB Scissor block, intermediate 12 per tent		

Part # & Description	Part	View of Part on Tent Frame
TEN-FRA-ACC-MLA2 Center leg with cap 2 per tent		
TEN-FRA-ACC-MLCB Lower center block 2 per tent		
TEN-FRA-ACC-MLCC Corner leg cap 4 per tent		
TEN-FRA-ACC-MLL6 Lower leg 6 per tent		
TEN-FRA-ACC-MLSC Leg socket 4 per tent		
TEN-FRA-ACC-MLU6 Upper leg with cap 4 per tent		
TEN-FRA-ACC-MLU20 Upper center leg 2 per tent		
TEN-FRA-ACC-MPCA1 Lower center pole 2 per tent		

10'x20' Commercial Tent Frame Parts List (continued)

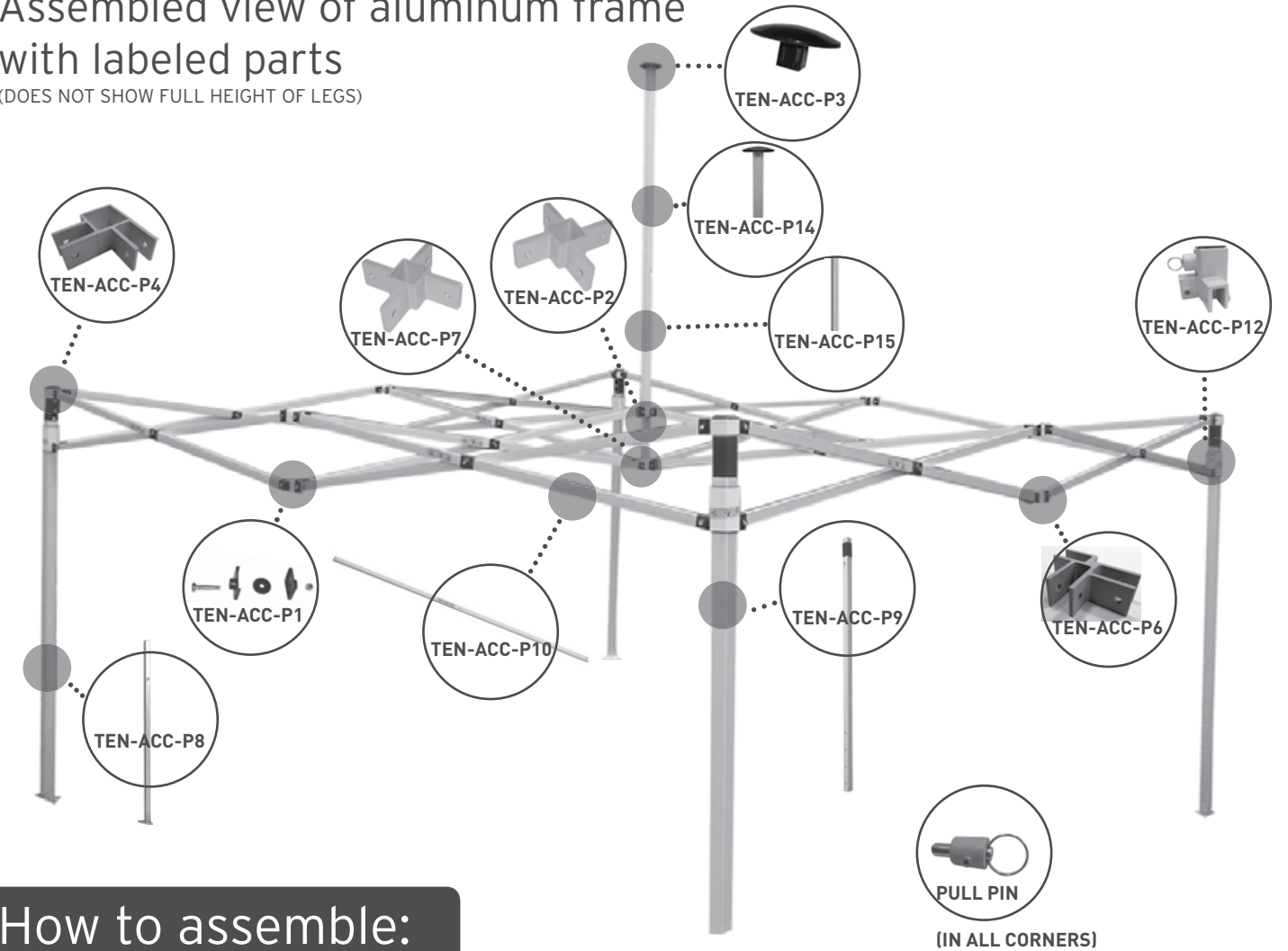
Part # & Description	Part	View of Part on Tent Frame
TEN-FRA-ACC-MP-CA2 Upper center pole with cap 2 per tent		
TEN-FRA-ACC-MPPI Push pin 12 per tent		

Part # & Description	Part	View of Part on Tent Frame
TEN-FRA-ACC-MSL5 5' scissor bar 44 per tent		
TEN-FRA-ACC-MUCB Upper center block 2 per tent		

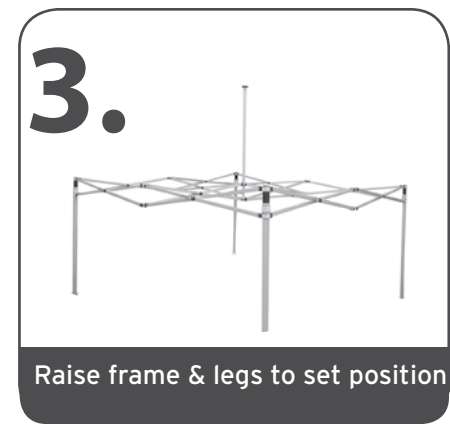
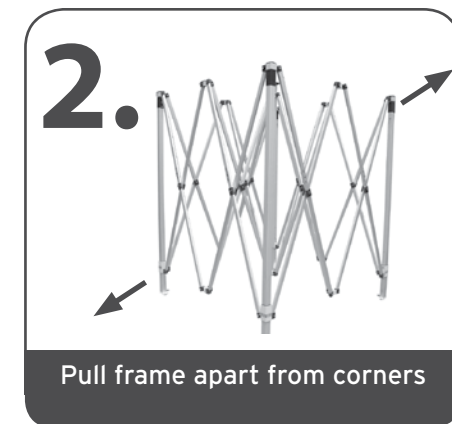
10'x10' Program Tent Frame

Assembled view of aluminum frame with labeled parts

(DOES NOT SHOW FULL HEIGHT OF LEGS)



How to assemble:



10'x10' Program Tent Frame Parts List

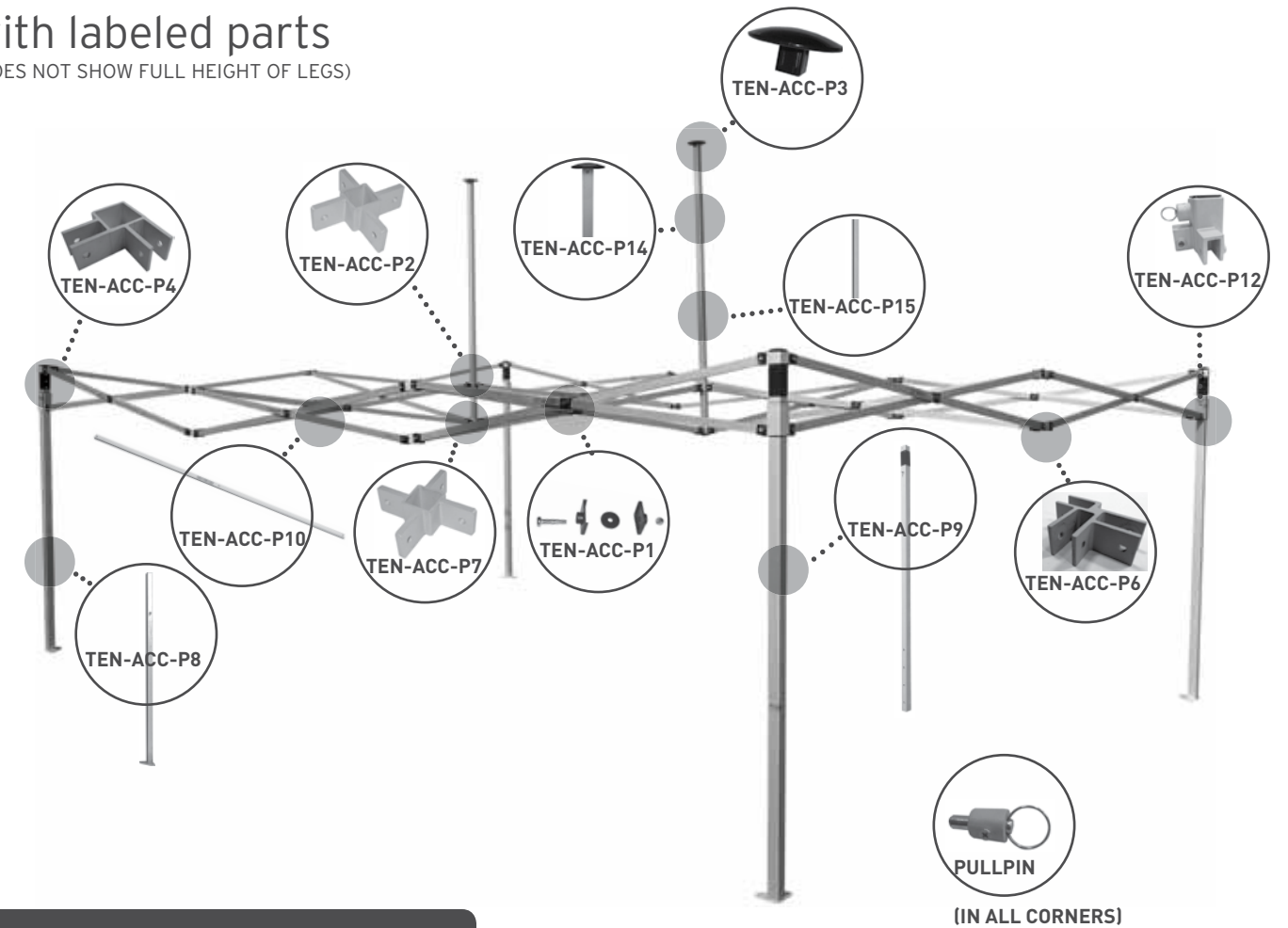
Part # & Description	Part	View of Part on Tent Frame
TEN-ACC-P1 Nut/bold assembly 12 per tent		
TEN-ACC-P2 Upper center pole block 1 per tent		
TEN-ACC-P3 Center pole dome cap 1 per tent		
TEN-ACC-P4 Outer leg cap 4 per tent		
TEN-ACC-P6 Scissor cap 8 per tent		
TEN-ACC-P7 Lower center pole block 1 per tent		

10'x15' Program Tent Frame

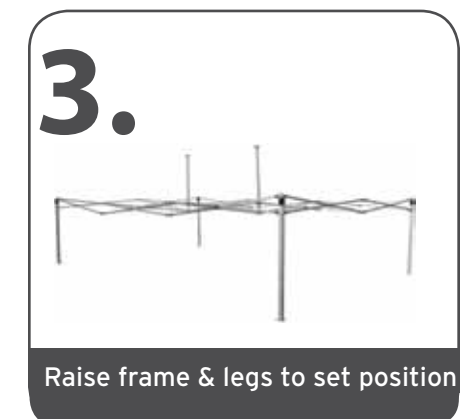
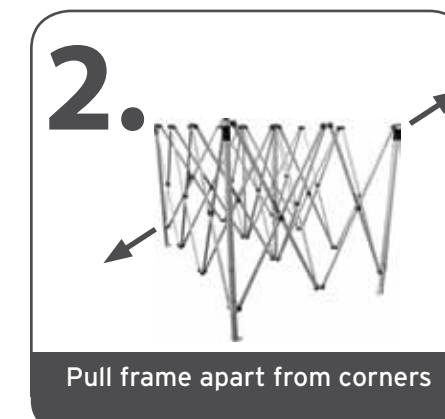
Part # & Description	Part	View of Part on Tent Frame
TEN-ACC-P8 Lower leg with push pin 4 per tent		
TEN-ACC-P9 Upper leg with cap 4 per tent		
TEN-ACC-P10 5' scissor bar 24 per tent		
TEN-ACC-P12 Outer leg slider 4 per tent		
TEN-ACC-P14 Upper center pole & cap 1 per tent		
TEN-ACC-P15 Lower center pole 1 per tent		

Assembled view of aluminum frame with labeled parts

(DOES NOT SHOW FULL HEIGHT OF LEGS)



How to assemble:



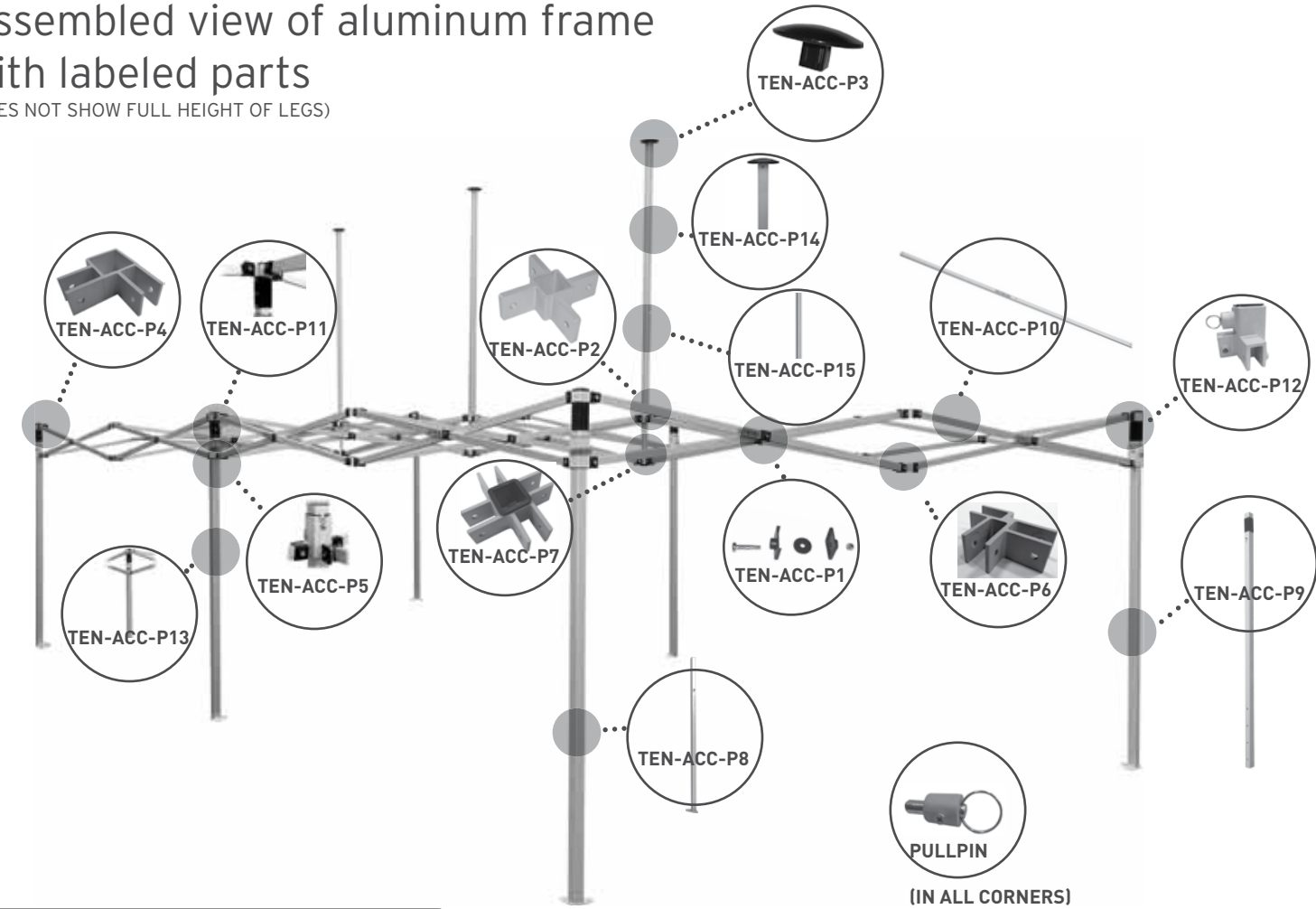
10'x15' Program Tent Frame Parts List

Part # & Description	Part	View of Part on Tent Frame
TEN-ACC-P1 Nut/bold assembly 20 per tent		
TEN-ACC-P2 Center pole block 2 per tent		
TEN-ACC-P3 Center pole dome cap 2 per tent		
TEN-ACC-P4 Outer leg cap 4 per tent		
TEN-ACC-P6 Scissor cap 12 per tent		
TEN-ACC-P7 Lower center pole block 2 per tent		

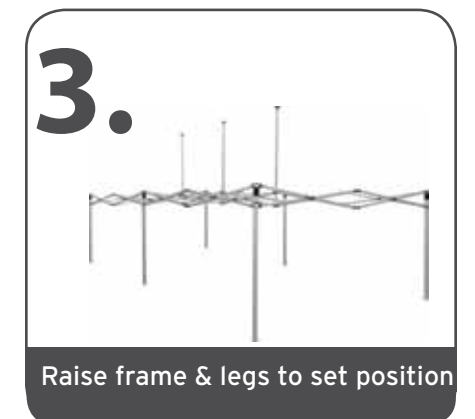
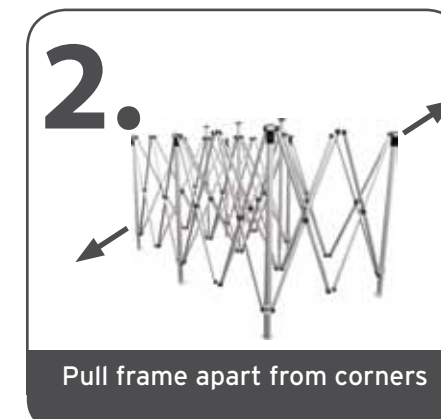
Part # & Description	Part	View of Part on Tent Frame
TEN-ACC-P8 Lower leg with push pin 4 per tent		
TEN-ACC-P9 Upper leg with cap 4 per tent		
TEN-ACC-P10 5' scissor bar 38 per tent		
TEN-ACC-P12 Outer leg slider 4 per tent		
TEN-ACC-P14 Upper center pole & cap 2 per tent		
TEN-ACC-P15 Lower center pole 2 per tent		

10'x20' Program Tent Frame

Assembled view of aluminum frame
with labeled parts
(DOES NOT SHOW FULL HEIGHT OF LEGS)



How to assemble:



10'x20' Program Tent Frame Parts List

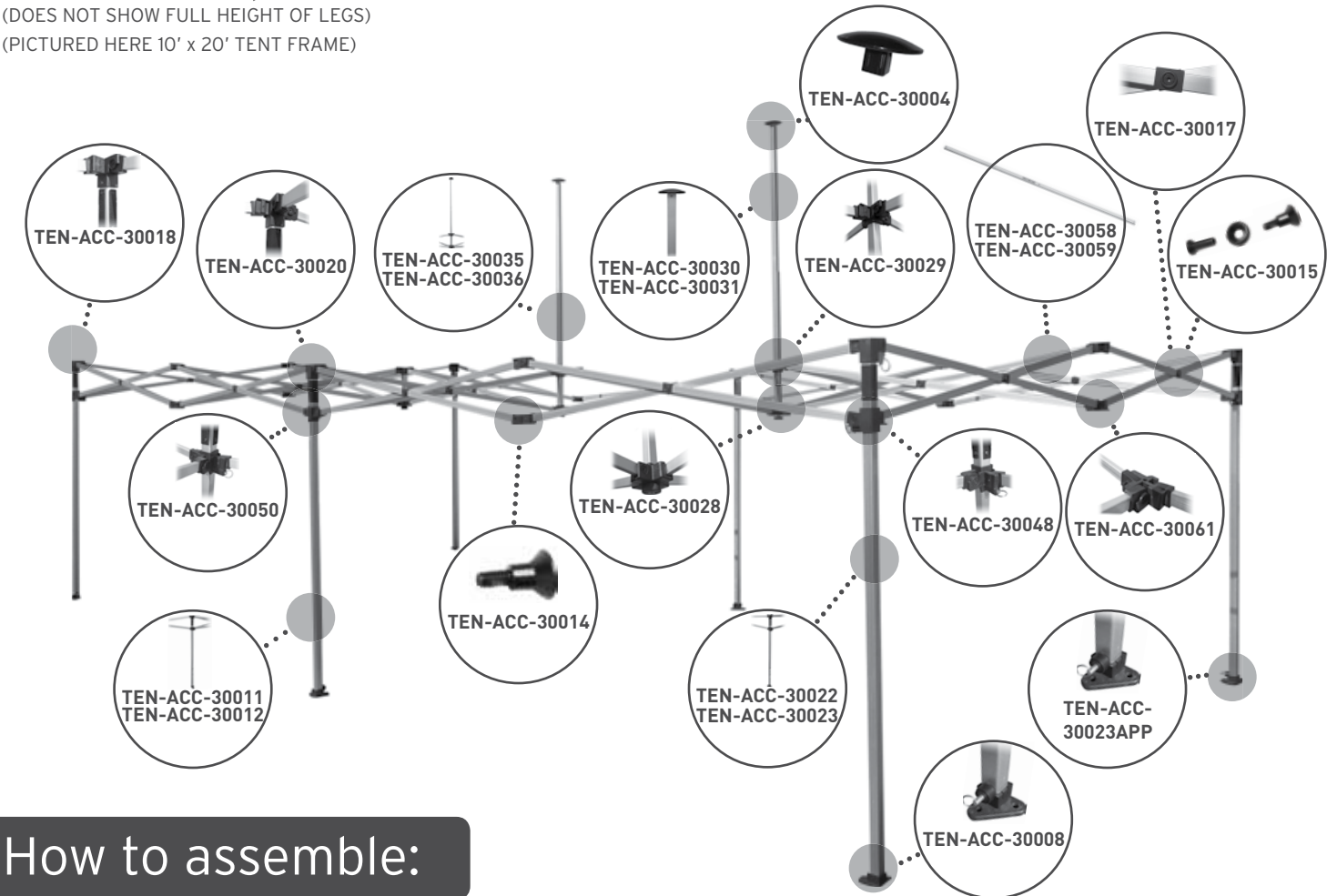
Norstar [5'x5' or 8'x8'] Tent Frame

Part # & Description	Part	View of Part on Tent Frame
TEN-ACC-P1 Nut/bold assembly 32 per tent		
TEN-ACC-P2 Upper center pole block 3 per tent		
TEN-ACC-P3 Center pole dome cap 3 per tent		
TEN-ACC-P4 Outer leg cap 4 per tent		
TEN-ACC-P5 Center leg slider 2 per tent		
TEN-ACC-P6 Scissor cap 12 per tent		
TEN-ACC-P7 Lower center pole block 1 per tent		
TEN-ACC-P8 Lower leg with push pin 4 per tent		

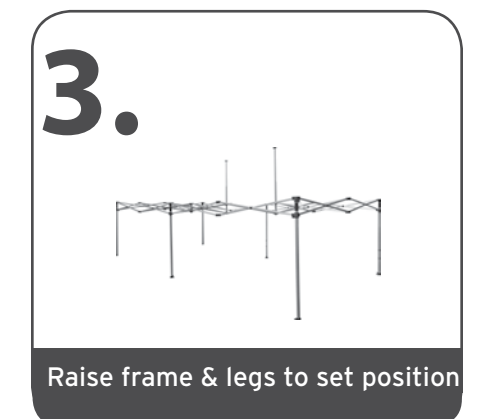
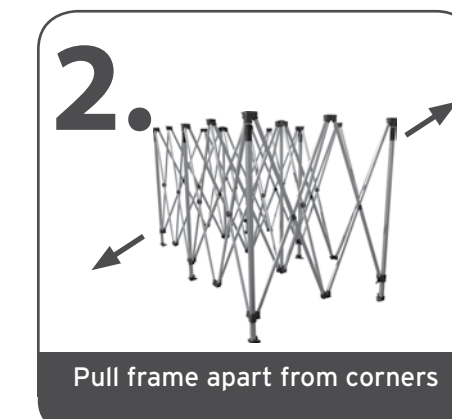
Part # & Description	Part	View of Part on Tent Frame
TEN-ACC-P9 Upper leg with cap 4 per tent		
TEN-ACC-P10 5' scissor bar 44 per tent		
TEN-ACC-P11 Center leg cap 2 per tent		
TEN-ACC-P12 Outer leg slider 4 per tent		
TEN-ACC-P13 Upper center leg with cap 2 per tent		
TEN-ACC-P14 Upper center pole & cap 3 per tent		
TEN-ACC-P15 Lower center pole 3 per tent		

Assembled view of aluminum frame with labeled parts






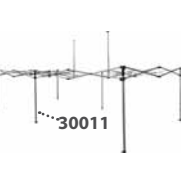

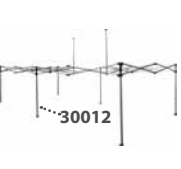

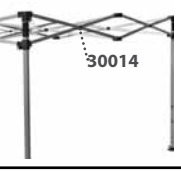

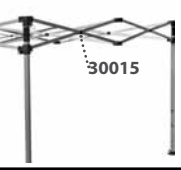

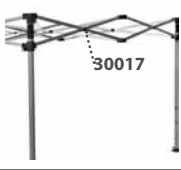


(DOES NOT SHOW FULL HEIGHT OF LEGS)
(PICTURED HERE 10' x 20' TENT FRAME)




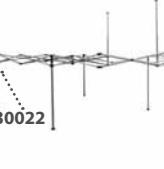

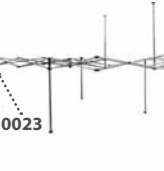












How to assemble:

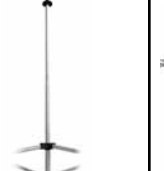
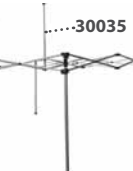


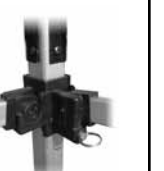

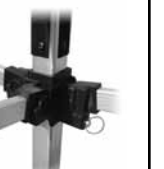






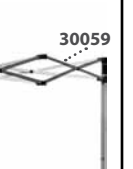

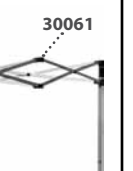


Norstar Tent Frame Parts List

Part # & Description	Part	View of Part on Tent Frame
TEN-ACC-30004 Dome cap		
TEN-ACC-30008 Foot pad		
TEN-ACC-30011 Inner leg aluminum with foot pad		
TEN-ACC-30012 Inner leg steel with foot pad		
TEN-ACC-30014 Joint bolt 32		
TEN-ACC-30015 Joint bolt & joint nut		
TEN-ACC-30017 Joint washer & bolt cap		
TEN-ACC-30018 Outer bracket 2-way		

Part # & Description	Part	View of Part on Tent Frame
TEN-ACC-30020 Outer bracket 3-way		
TEN-ACC-30022 Upper outer leg aluminum		
TEN-ACC-30023 Upper outer leg steel		
TEN-ACC-30023APP Slider with pull pin		
TEN-ACC-30028 Peak lower 4-way bracket		
TEN-ACC-30029 Peak upper 4-way bracket		
TEN-ACC-30030 Peak pole aluminum with dome cap		
TEN-ACC-30031 Peak pole steel powder coated with dome cap		

Norstar Tent Frame Parts List Continued

Part # & Description	Part	View of Part on Tent Frame
TEN-ACC-30035 Peak lower aluminum with adjustable dial		
TEN-ACC-30036 Peak lower steel powder coated with adjustable dial		
TEN-ACC-30048 Slider bracket 2-way, ring spindle		
TEN-ACC-30050 Slider bracket 3-way		

Part # & Description	Part	View of Part on Tent Frame
TEN-ACC-30058 Scissor bar aluminum 5'		
TEN-ACC-30059 Scissor bar steel powder coated 5'		
TEN-ACC-30061 Scissor bar cap 3-way		
TEN-ACC-PCAP Scissor bar cap		

Commercial/Program Half Wall

Commercial/Program Half Wall Set-up

includes:

- a. (2) Allen Wrench
- b. (2) female pole
- c. (1) male pole
- d. half wall fabric



1. Make sure brackets are open. If not, use Allen wrench to open brackets.



2. Insert male pole into one female pole. Lock into place with push pin.



3. Slide half of rail pole into sleeve of half wall fabric. Scrunch half wall fabric all the way down.



4. Insert male pole into second female pole. Lock into place with push pin.



5. Slide half wall fabric across entire rail pole.



6. Position bracket on leg.



7. Tighten bracket with Allen wrench.



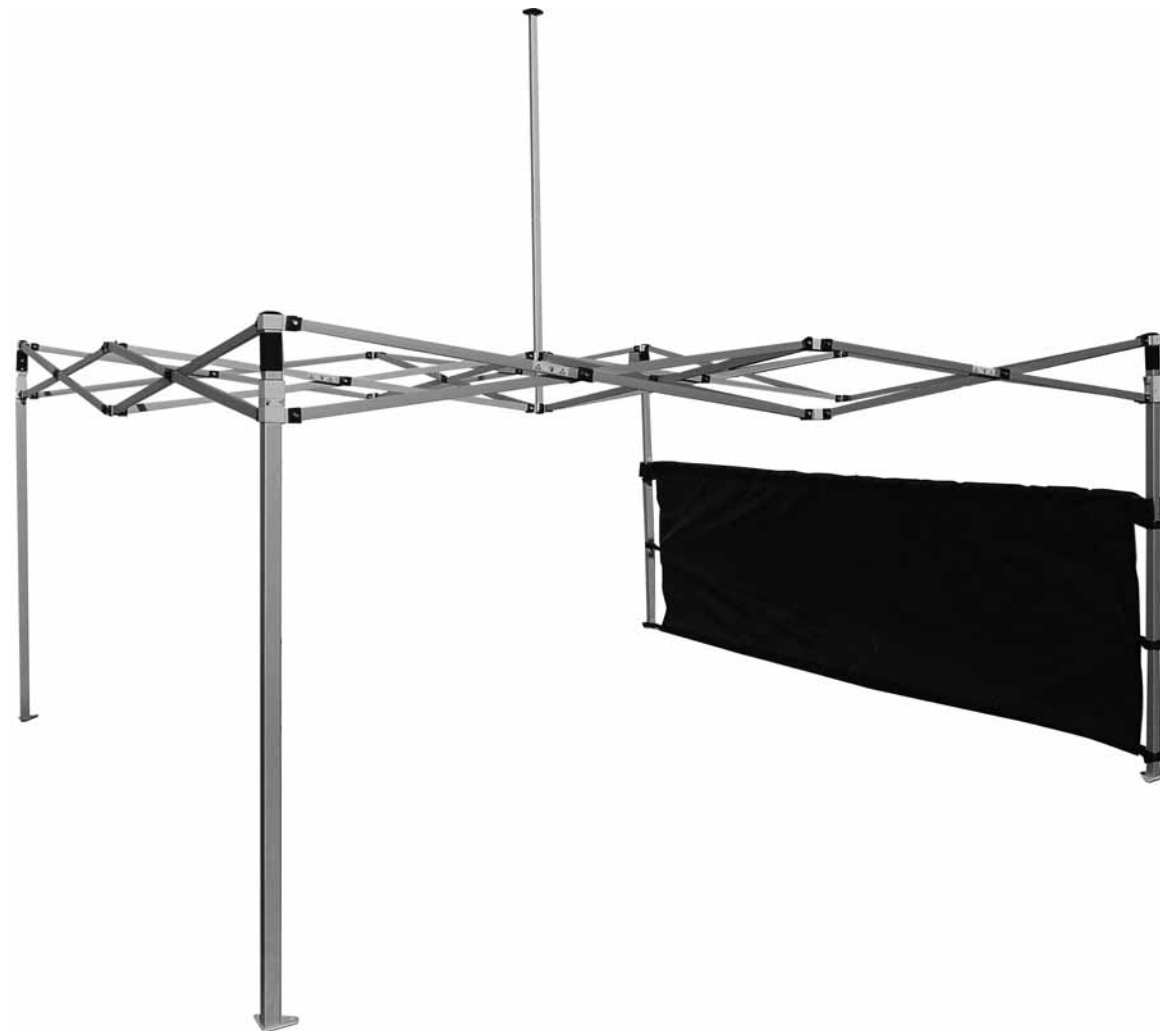
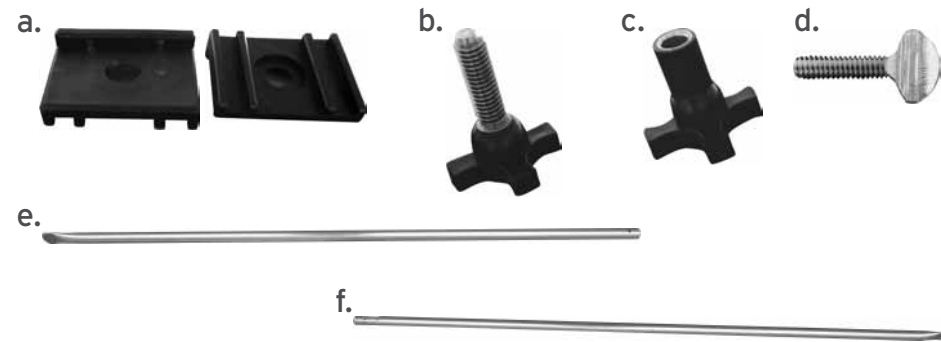
8. Fasten half wall fabric to the leg by using the attached Velcro closures.

Hex Half Wall

Hex Half Wall Set-up

Includes

- a. (4) dynidiom bracket piece
- b. (2) male screw
- c. (2) female screw
- d. (2) thumb screw
- e. (1) male pole
- f. (1) female pole
- g. half wall fabric



1. Insert male screw into center of the dynidiom bracket pieces.



2. Connect the brackets by tightening the female screw into the male screw.



3. Insert male pole into the female pole. Lock into place with push pin.



4. Slide rail pole into sleeve of half wall fabric



5. Position the assembled bracket at a 45 degree angle.



6. Slide the bracket onto the leg of the tent. (Note: Make sure corners of bracket are facing one another) Tighten the bracket screws to the unit leg.



7. Place rail curtain over one of the holes on the bracket. Insert the thumb screw to secure the rail curtain into the bracket.



8. Fasten the half wall fabric to the leg by using the attached Velcro closures.

Order Form

4690 Joliet Street | Denver, Colorado 80239

toll free: 800.227.0337 | main: 303.371.1717 | confidential fax: 303.228.2795 | www.eps-doublet.com

Complete following information. Fill out and fax to our confidential fax at (303) 228-2795.

Date _____

Company Name _____

Billing Address _____

Phone _____ Fax _____

Shipping Address _____

Indicate frame type

- Commercial Program Norstar Hex

Indicate size

- 5' x 5' 8' x 8' 10' Hex 10' x 10' 10' x 15' 10' x 20' 20' Hex

Date frame was purchased _____

Quantity	Part #	Price Each	Total
Total :			_____

Method of Payment :

- Visa
 Mastercard
 American Express
 Discover

Method of Shipment :

- Ground
 2 Day
 Overnight

Name on Account _____

Credit Card Number _____

Expiration Date _____